

## WMC : LED Wallpack Cube



project name	type
catalog number	
comments	voltage
approved by	date

20/30  
watts

1900-  
2850  
lumens

93+  
lpw

4000K/  
5000K  
CCT

### Features

- Economical and energy efficient LED solution for general purpose wall mount lighting
- Durable polycarbonate housing and lens; die cast powder coated aluminum back
- UV stabilized bronze powder coat finish
- Fully sealed and gasketed, wet location rated
- Enclosure and hardware are corrosion resistant
- Includes 120V dusk-to-dawn button type photocontrol
- 5 year limited warranty

### Performance

- 50,000 hour life
- Operating temperature: -40°C (-40°F) to 40°C (104°F)
- UL & CUL listed for wet locations
- 4000K or 5000K CCT
- CRI: >80
- Input voltage: 120-277VAC

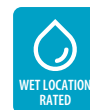
### Applications

- Residential Exteriors
- Entrances
- Storage Facilities
- Convenience Stores
- Recreational Areas
- Housing Complexes
- Security

### Ordering Information

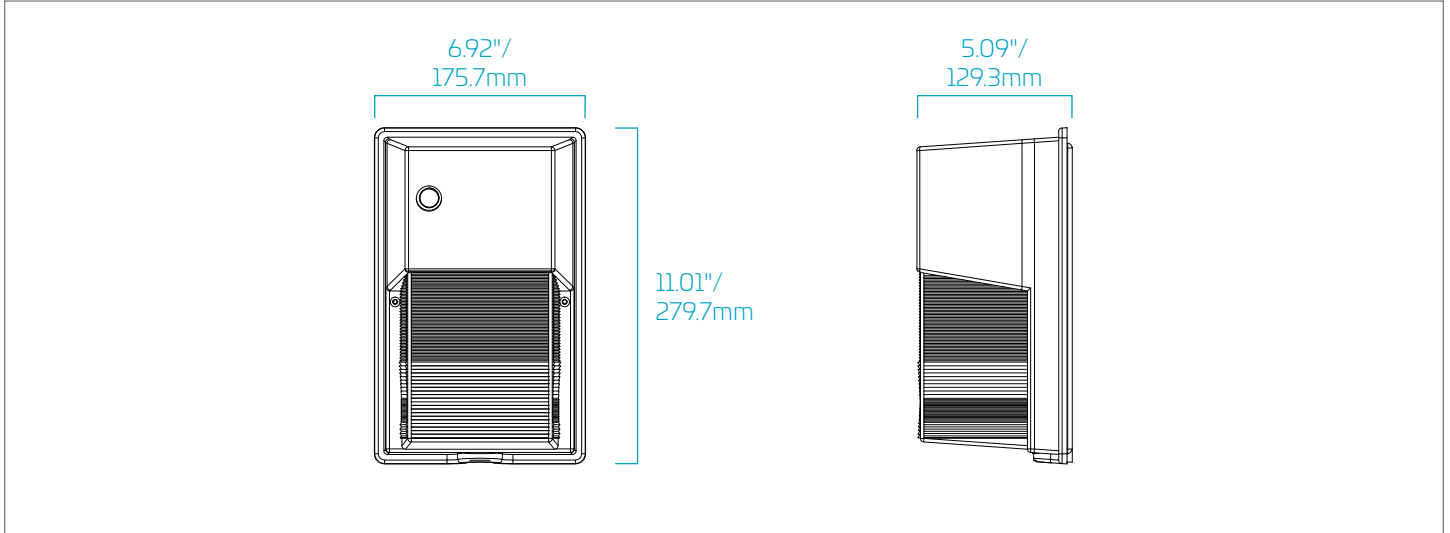
Order Code	Item #	Lm	W	CCT	CRI	Life/Hrs	V	Finish	DLC
<b>09810</b>	WMC-2C-40K-U	1,900	20W	4000K	80+	50,000	120-277V	Bronze	✓
<b>09580</b>	WMC-2C-50K-U	1,900	20W	5000K	80+	50,000	120-277V	Bronze	✓
<b>09811</b>	WMC-3C-40K-U	2,850	30W	4000K	80+	50,000	120-277V	Bronze	✓
<b>09581</b>	WMC-3C-50K-U	2,800	30W	5000K	80+	50,000	120-277V	Bronze	✓

✓DesignLights Consortium® Qualified



## WMC : LED Wallpack Cube

### Dimensions



watch > like > follow

