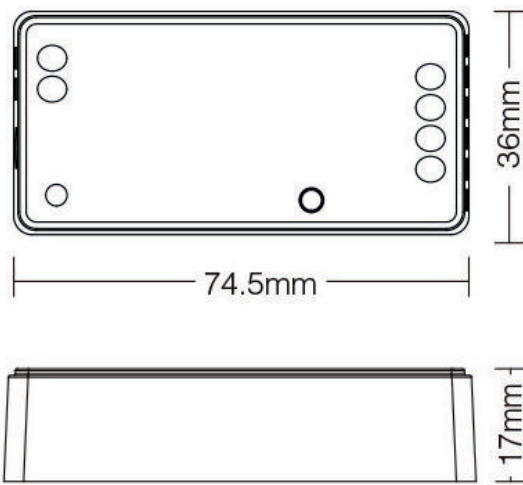
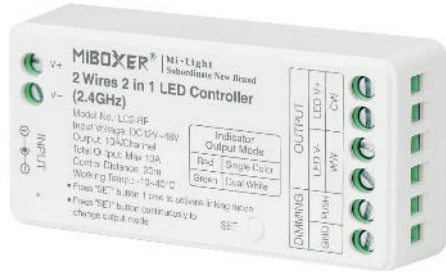


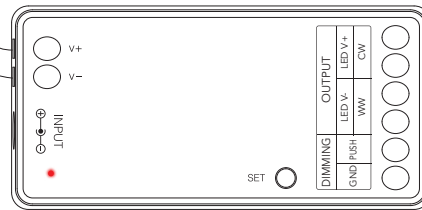
2 Wire CCT Controller (2.4GHz)

This controller uses 2.4GHz wireless technology for low power consumption, long-range transmission, and strong anti-interference. It supports dimming, color adjustment, smartphone app control, and third-party voice control via a gateway, making it ideal for hotel and home lighting.



Input: DC12V~48V

V- V+

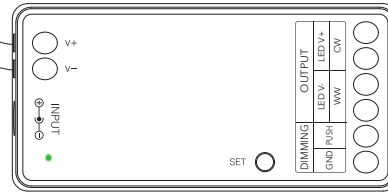


Single Color Modes

PUSH switch

Input: DC12V~48V

V- V+



Dual White Modes

PUSH switch

Compatible Fixtures	Ordering Code(s)
Tunable CCT, High Power Indoor	SL-ID-CCT-HP-XX-A8
Tunable CCT, Low Power Indoor	SL-ID-CCT-LP-XX-A8
Tunable CCT, High Power Outdoor	SL-OD-CCT-HP-20-B8
Tunable CCT, Low Power Outdoor	SL-OD-CCT-LP-XX-B8

Specifications	
Input Voltage	DC 12 to 48V
Output Current	10A/Channel
Total Output	Max 10A
Communication Protocol	2.4GHz
Control Distance	30m
Working Temperature	-10 to 40°C
Approvals	RoHS

Ordering Code(s)

• CNTRL-2W-CCT

Project		Type	
Date		Contact	
Notes			